



# EarthBin<sup>®</sup> Silo<sup>™</sup>

## USER GUIDE





EarthBin® Silo™

## Welcome to your new waste management solution

We value you as a customer and wish you many years of safe and satisfied use of your EarthBin. The EarthBin is designed with the user in mind and features many benefits and features, such as a low feed height, locking lids and both front and rear feed doors. The EarthBin is engineered to remain solidly in the ground for many, many years to come. The EarthBin is manufactured by a team of highly skilled and dedicated professionals and technicians using comprehensive quality processes to ensure your satisfaction and trouble-free use of the product.

# Table of Contents

- 1.0 Introduction
  - 1.1 Using Your Operator's Manual
  - 1.2 Engineering Improvements
- 2.0 The Earthbin Silo
  - 2.1 Elevation View
- 3.0 Decals and Signage
- 4.0 Loading the EarthBin Silo
- 5.0 Main Service Lid
- 6.0 Feed Door
  - 6.1 Locking and Unlocking the Feed Door
  - 6.2 Using the door stay (if equipped)
  - 6.3 Optional Slam Latch
- 7.0 Servicing EarthBin Silo with a Crane Truck
- 8.0 Maintenance of the EarthBin Silo
  - 8.1 All accessible screws, bolts & nuts
  - 8.2 Safety labels & decals
  - 8.3 Cleaning the Earthbin
  - 8.4 Cleaning under the bin
  - 8.5 Repairs to the Earthbin
- 9.0 General Specifications

# 1.0 Introduction

## 1.1 Using Your Operator's Manual

Reading and understanding your operator's manual will help you and others to avoid personal injury. The information contained in this manual will provide the operator with the safest and most effective use of the equipment. By understanding the contents of this manual, you will be able to train others who may also use this equipment.

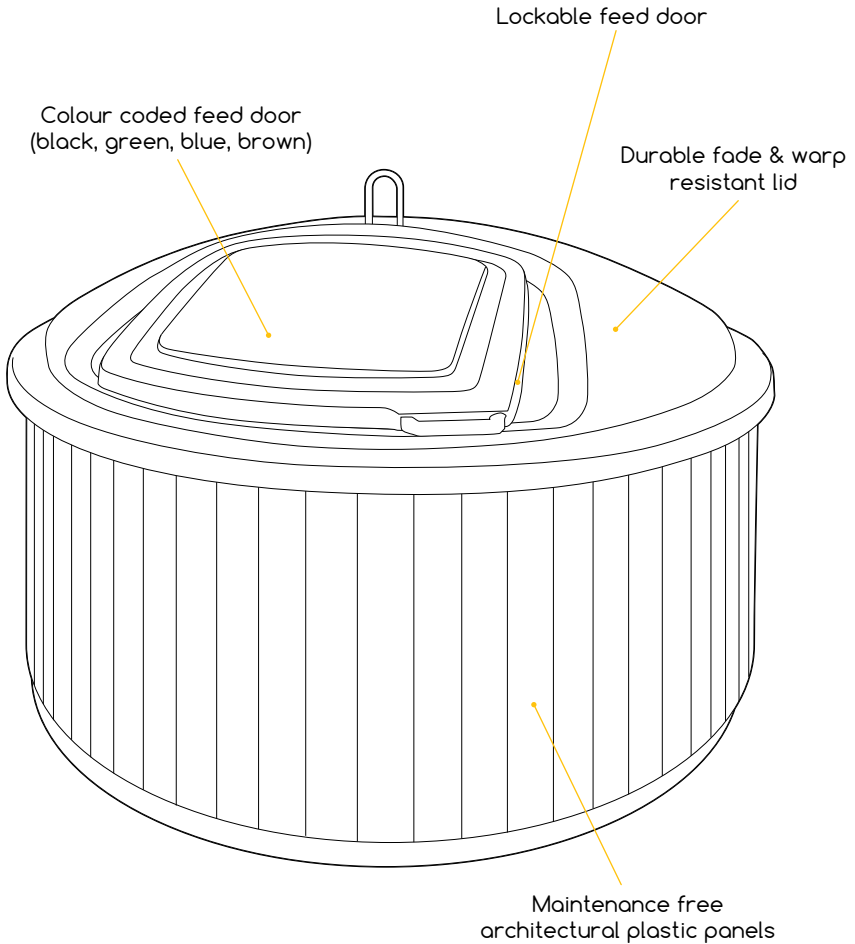
The equipment shown in this manual may be slightly different from your equipment, but will be similar enough to help you understand the instructions.

## 1.2 Engineering Improvements

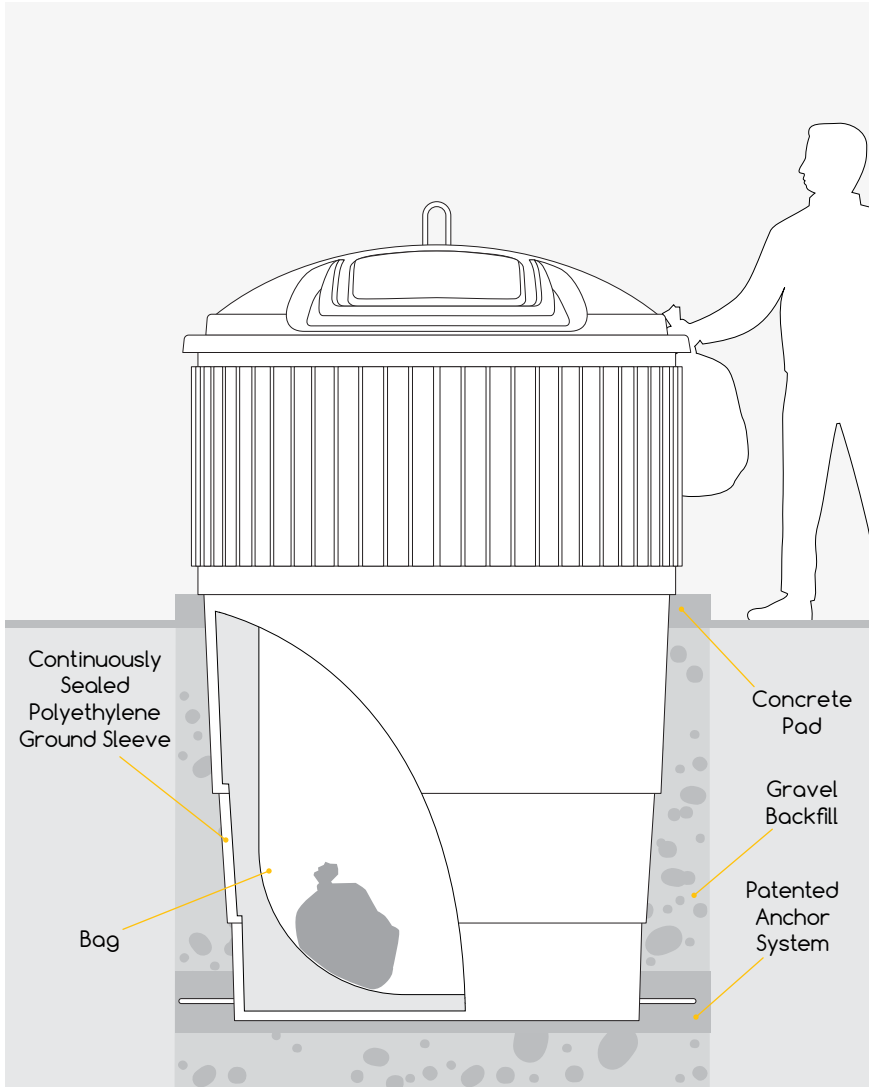
One of our objectives as a company is to continuously improve all of our products. Periodically, we may modify the design or appearance of the EarthBin. Therefore, some of the changes or modifications may not be described or shown in this manual.

## 2.0 The Earthbin® Silo™

Designed in Canada. Made in Canada.



## 2.1 Elevation View



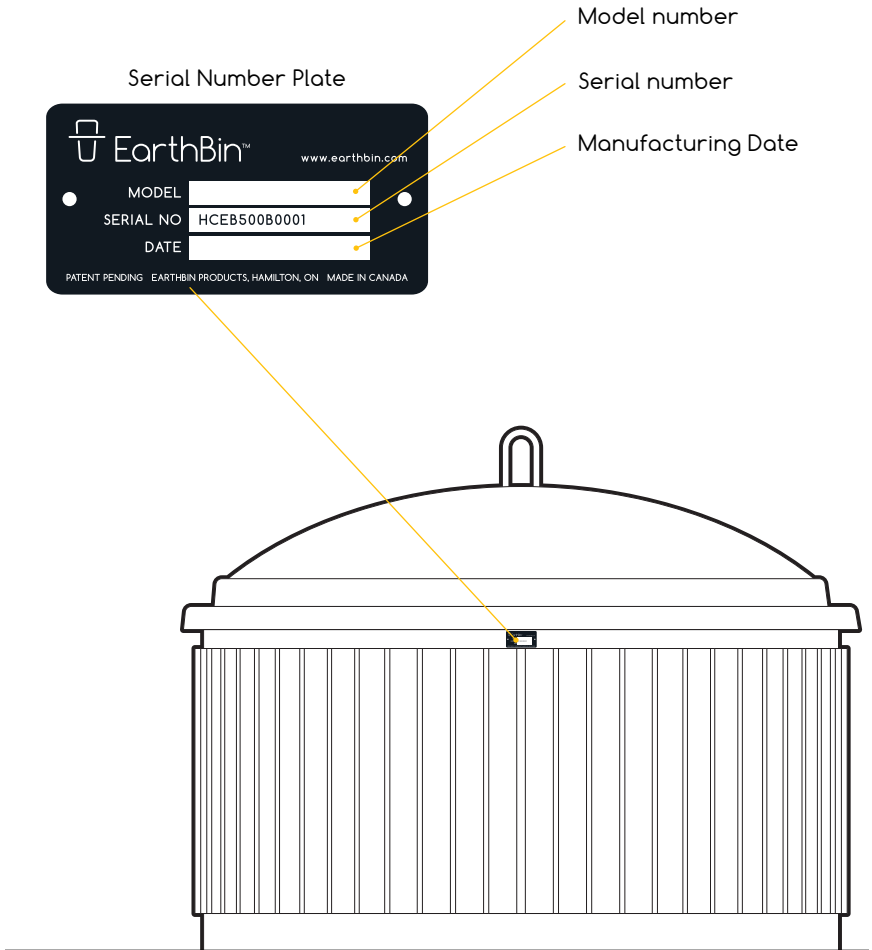
## 3.0 Decals and Signage

### 3.1 Front view





### 3.2 Rear view



## 4.0 Loading the EarthBin Silo

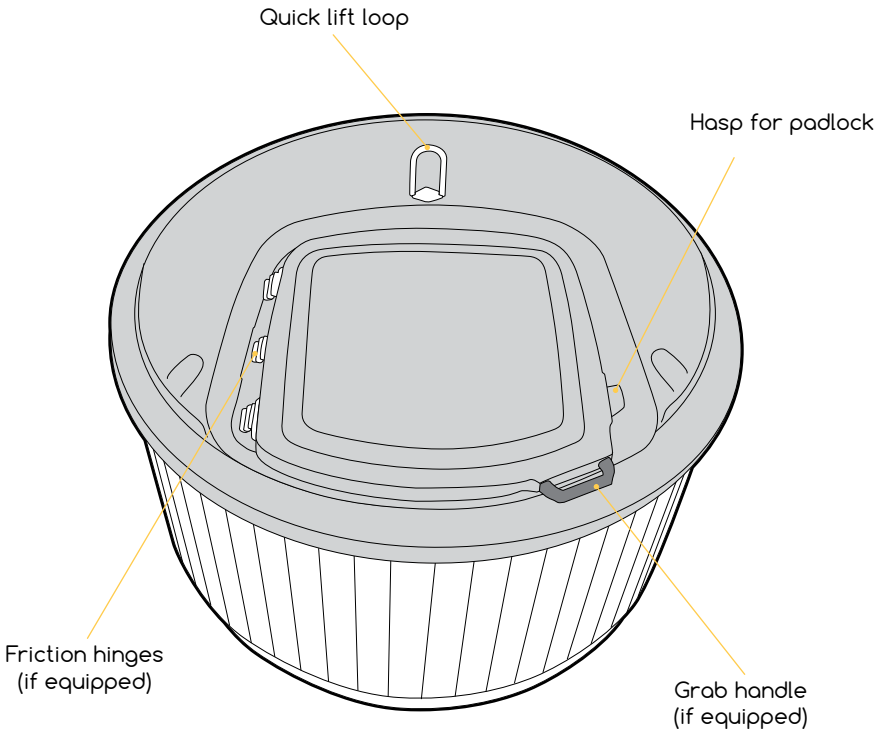
To ensure longevity of the EarthBin Silo, and maintain its appearance, and to prevent damage, the following guidelines are recommended:

- ✓ Educate the users about the EarthBin Silo.
- ✓ Ensure that there are no materials on top of the EarthBin Silo lid prior to servicing with the truck.
- ✓ Remove snow from around the EarthBin Silo by maintaining a walkway for users to load the front and rear feed door and to allow proper truck access.
- ✓ Remove snow from the EarthBin Silo lid & feed door so that the feed door may be easily opened.

- ✘ **DO NOT** Dispose of metal in the EarthBin including bicycle frames and long steel poles as this type of waste may damage the bag.
- ✘ **DO NOT** Dispose of heavy stone, concrete, masonry, asphalt or steel construction or demolition wastes in EarthBin Silo.
- ✘ **DO NOT** Dispose of waste which is on fire (or very hot) such as grilling coals or hot ashes in EarthBin Silo.
- ✘ **DO NOT** Dispose of hazardous wastes, corrosive chemicals, toxic or reactive wastes in EarthBin Silo.
- ✘ **DO NOT** Leave the feed door propped open when not in use as this allows odours to escape, attracts animals and pests, allows waste to blow around, encourages illegal dumping and allows rain water to enter, which could result in higher lift costs.
- ✘ **DO NOT** Climb on or enter into the EarthBin Silo.
- ✘ **DO NOT** Exceed the maximum capacity for the bag of 1,250 kg (2,750 lbs).
- ✘ **DO NOT** Stand within 20 metres of the container during servicing by the truck.

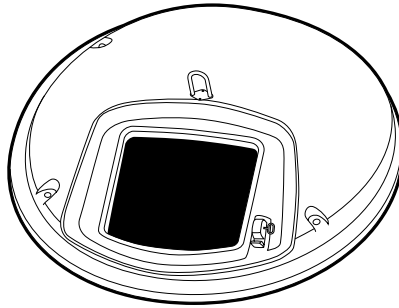
## 5.0 Main Service Lid

The truck driver does not have to unlock the feed door to service the bin.

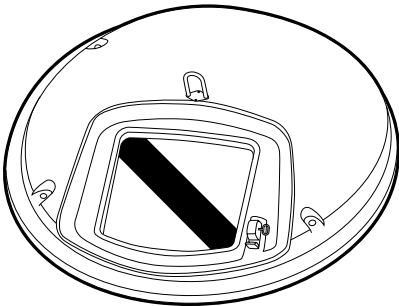


## 6.0 Feed Door

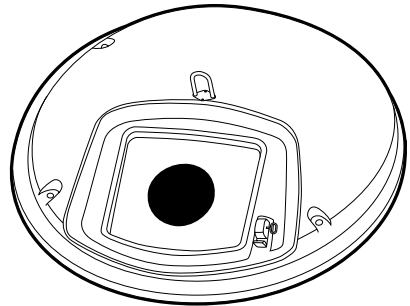
The EarthBin Silo comes equipped with doors that allow the user various loading options.



Standard Lid



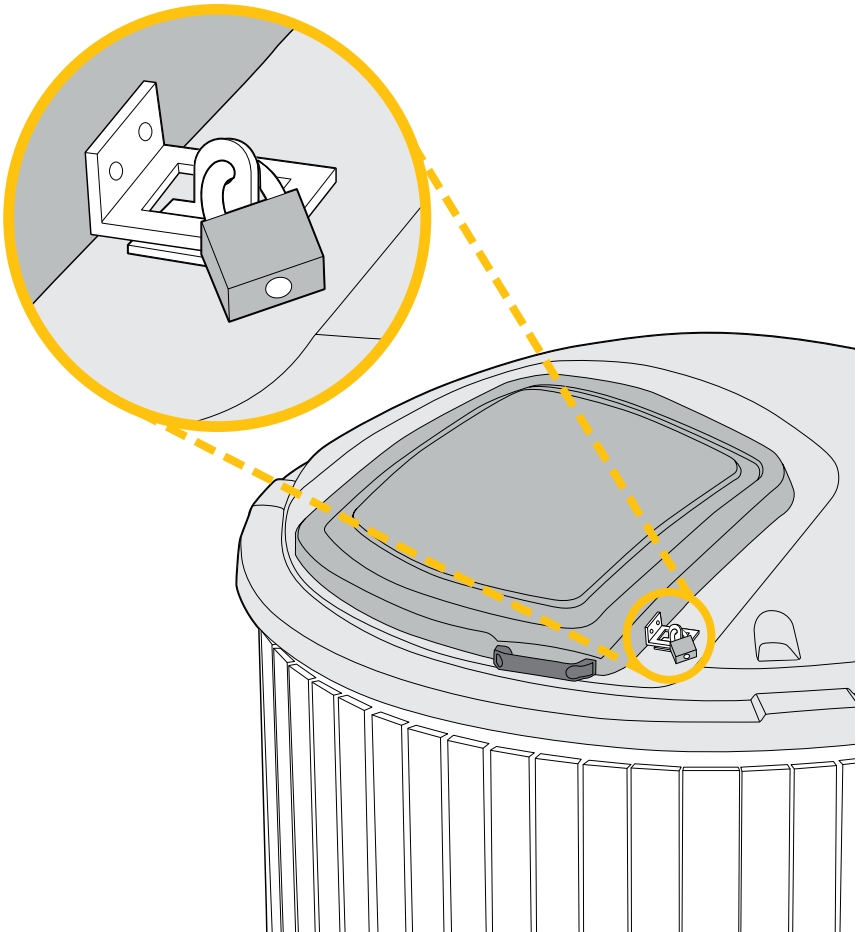
Cardboard Slot



Small opening (300mm)

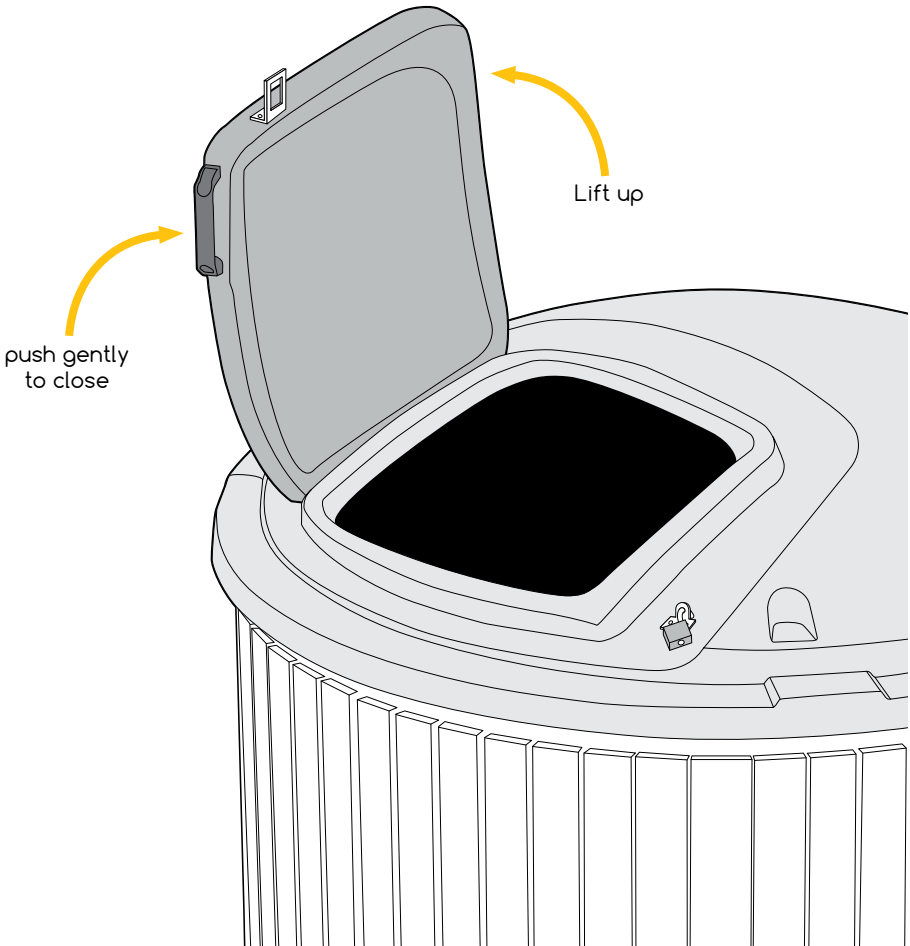
## 6.1 Locking and Unlocking the Feed Door – Padlock

The EarthBin Silo comes equipped with provision to install a padlock on both front and rear feed doors. It is the responsibility of the site manager or owner to secure the bin by locking the feed doors.



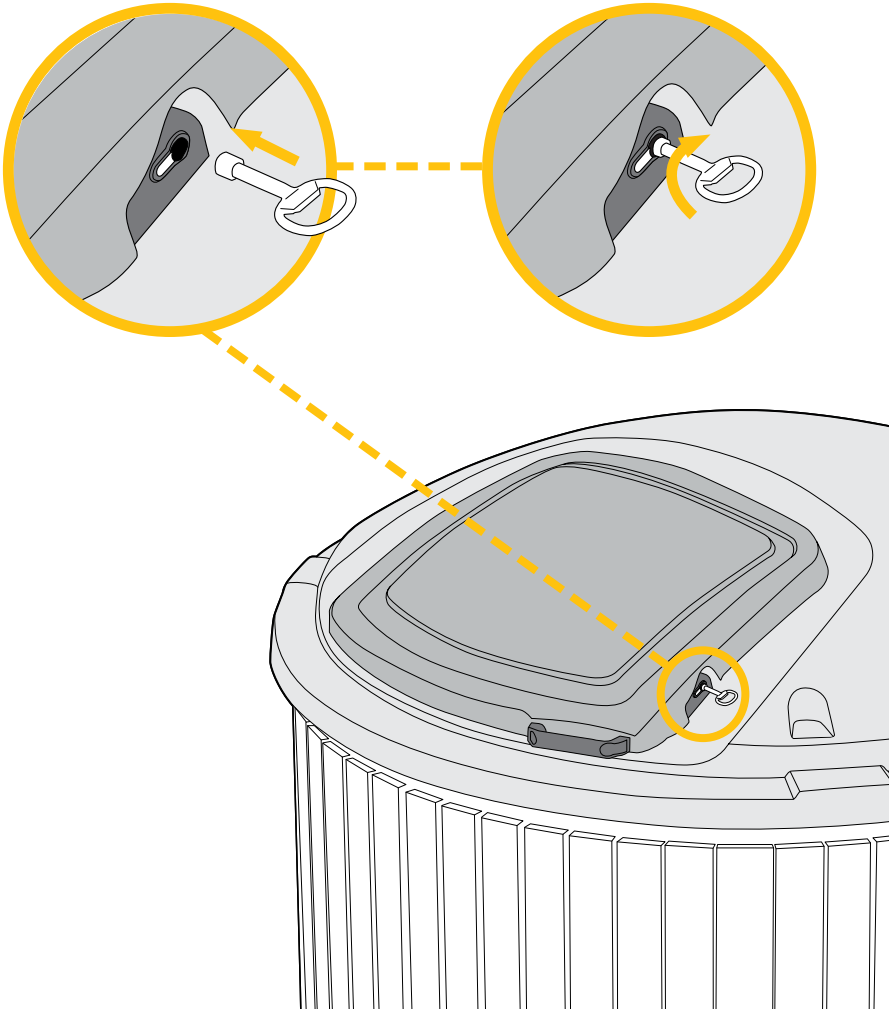
## 6.2 Using the door stay (if equipped)

Some models of the EarthBin are equipped with friction hinges on the user door. Lift the feed door by grabbing the handle until door stops. To close door, push gently and it will fall shut.



## 6.3 Optional Slam Latch

The key is rotated clockwise less than 1/4 turn to release if you are facing the latch, and then drop the door down to re latch.





## 7.0 Servicing EarthBin Silo with a Crane Truck

See EarthBin Silo Crane Servicing Guide.

## 8.0 Maintenance of the EarthBin Silo

Typically there is very little maintenance required for the EarthBin Silo.

Normal wear and tear on the EarthBin should not cause the need for parts replacement or repairs. However, on the occasion that the bin is damaged by the end user, waste hauler or other vehicle, EarthBin Products will need to assess the damage and provide a repair estimate at that time.

The EarthBin container is designed to provide many years of service. Service life depends on the type of waste being deposited and the frequency of service.

Users of this product may only perform the maintenance and service work described in this Owner & Operator manual. All other service work must be carried out by a servicing distributor or by the factory (EarthBin Products). Servicing distributors or authorized service technicians are provided with the necessary training and supplied with the most current technical information in addition to using the proper specialized tools and equipment.

EarthBin Products recommends the use of original EarthBin Products replacement parts in order to avoid the risk of accidents and damage to the product, service vehicle or property.

## 8.1 All accessible screws, bolts & nuts

Retighten or replace as necessary.

## 8.2 Safety labels & decals

Replace illegible safety labels and decals as required.

## 8.3 Cleaning the Earthbin Silo

The EarthBin may be cleaned using a scrub brush, water and a mild detergent to maintain appearance. The exterior of the bin may be washed with a pressure washer fitted with a general purpose 40° nozzle. If the waste being deposited into the container is of such nature that it will adhere to and accumulate on the interior of the bin, a periodic cleaning with a pressure washer fitted with a 15°-25° nozzle may be necessary.

The liquids may be suctioned by a vacuum truck or pumped out using a submersible utility pump or just emptied into the waste truck during the next service (contact your waste service provider).

## 8.4 Cleaning the ground sleeve (well)

Contact EarthBin Products if a complete cleaning and sanitization is needed.

## 8.5 Repairs to the Earthbin

If the plastic parts become heavily scratched or gouged, the raised plastic may be removed with a sharp utility knife. Appearance may be improved further by gently heating the plastic with a propane torch, which causes the plastic to melt and blend. **DO NOT overheat.**

Damage to the architectural panels may be removed with use of a rasp, file, plane or sandpaper to level the damaged area and blend in to adjacent surfaces.

Contact EarthBin products if repairs are needed at  
[www.earthbin.com](http://www.earthbin.com) 1-844-213-BINS (2467)

## 9.0 General Specifications

### Model: EB500T

Capacity/Volume:	5000 litre (6.5 cubic yard)
Capacity/Weight:	1250 kg (2750 lbs)
Diameter (A):	1.8 m (70.8 in)
Height (B):	1.2 m (48.5 in)
Feed Height (C):	1.0 m (39.4 in)
Depth In-Ground (D):	1.5 m (60 in)
Standard Feed Opening:	52 cm x 58 cm (20.5 in x 23 in) Rectangular
Configuration:	Round semi-buried in-ground waste & recycling with vertical lift system (Crane lift)
Feed Door:	Optional colours - Black, Blue, Green; lockable and door stay
Lift frame:	Quick lift system is standard on all models
Bag:	Soft bag; soft bag with liquid retention tank
Framing:	Available in Black, Dark Brown or Dark Grey
Liner:	Ground sleeve features a Patented Anchor system
Signage:	Standard text to indicate different types of materials: Garbage, cardboard, recycling
Materials:	<ul style="list-style-type: none"> <li>• Ground sleeve liner: Rigid rotomolded premium virgin Polyethylene 100% recyclable, UV stabilized, continuous sealed part, liquid tight</li> <li>• Hardware: galvanized steel, stainless steel or aluminum to ensure long life</li> <li>• Lid: 100% recycled black Polyethylene thermoformed textured surface finish</li> <li>• Door: 100% recycled black Polyethylene or coloured Polyethylene thermoformed textured surface finish</li> <li>• Framing: 100% recycled post-consumer plastic</li> <li>• Signage: Premium outdoor aluminum</li> <li>• Bag: Polypropylene woven bag with inner liner; polypropylene woven bag with Polyethylene liquid retention tank;</li> </ul>

Note: Specifications may change without notice.

## Model: EB130T

Capacity/Volume:	1300 litre (1.7 cubic yard)
Capacity/Weight:	1200 kg (2650 lbs)
Diameter (A):	1.0 m (40.5 in)
Height (B):	1.2 m (48.5 in)
Feed Height (C):	1.0 m (39.4 in)
Depth In-Ground (D):	1.5 m (60 in)
Standard Feed Opening:	28 cm x 30 cm (11 in x 12 in) Rectangular
Configuration:	Round semi-buried in-ground waste & recycling with vertical lift system (Crane lift)
Feed Door:	Optional colours - Black, Blue, Brown, Green; lockable
Lift frame:	Quick lift system is standard on all models.
Bag:	Soft bag; soft bag with liquid retention tank; rigid container for organics
Framing:	Available in Black, Dark Brown or Dark Grey
Liner:	Ground sleeve features a Patented Anchor system
Signage:	Standard text to indicate different types of materials: Garbage, cardboard, recycling, organics
Materials:	<ul style="list-style-type: none"> <li>• Ground sleeve liner: Rigid rotomolded premium virgin Polyethylene 100% recyclable, UV stabilized, continuous sealed part, liquid tight</li> <li>• Hardware: Galvanized steel, stainless steel or aluminum to ensure long life</li> <li>• Lid: 100% recycled black Polyethylene thermoformed textured surface finish</li> <li>• Door: 100% recycled black Polyethylene or coloured Polyethylene thermoformed textured surface finish</li> <li>• Framing: 100% recycled post-consumer plastic</li> <li>• Signage: Premium outdoor aluminum</li> <li>• Bag: Polypropylene woven bag; polypropylene woven bag with Polyethylene liquid retention tank; Polyethylene rigid container</li> </ul>

Note: Specifications may change without notice.



# EarthBin<sup>®</sup> Silo<sup>™</sup>

If you have to see, smell, or even think about garbage on your property, you don't have a waste management system. You have a waste problem. Find out what the industry's most innovative thinkers have designed to solve it.

**1-844-213-BINS (2467)**

**[www.earthbin.com](http://www.earthbin.com)**